



## **PRESSURE METER MPC202**

### **APPROPRIATION**

The two-channel pressure meter MPC202 is appropriated to liquids, vapours and gases pressure measurement and to liquid level measurement. As a measurement element can be used PT series piezoresistive pressure sensor or PLH liquid level probe of PELTRON (4).

The wide assortment of sensors and level probes offered by the producer gives the possibility of the pressure and level measurement in the range correspondingly  $-1...400$  bar and  $0.5...100$  m H<sub>2</sub>O. The MPC202 meter supplies the pressure sensor and converts the received measurement signal in the standard current or voltage output signal.

### **CHARACTERIZATION**

- Industrial execution
- Simply in use
- Digital readout of measured values
- Aesthetic housing

### **CONSTRUCTION**

All parts of the meter are placed inside the Al alloy housing consisting of two parts: the base and the cover. On the base of the housing is assembling an electronic circuit and digital indicator. In the cover is an indicator window having a contrast filter. Power, input and output cables comes out through glands. The device has holders for a clamping to a wall or board. The meter consist of:

- two amplifier systems
- the overvoltage protection system
- the digital indicator
- the power supply unit
- the channel switch
- the housing
- he range switch giving the possibility of 4 times changing of the measurement range using only one transducer (option).

The meter is available in different versions according to the ordering code.

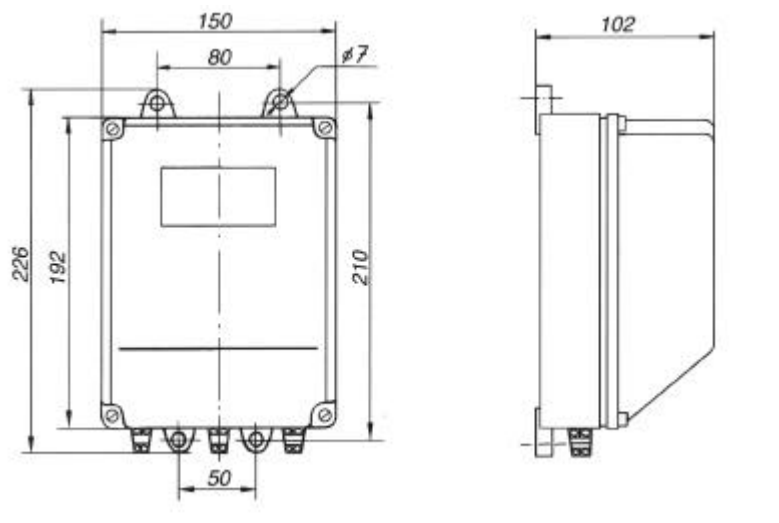
### **PRINCIPLE OF OPERATION**

The amplifier system has a current source for pressure sensor supply. The sensor output signal is converting to the standard voltage or current output signal.

## TECHNICAL DATA

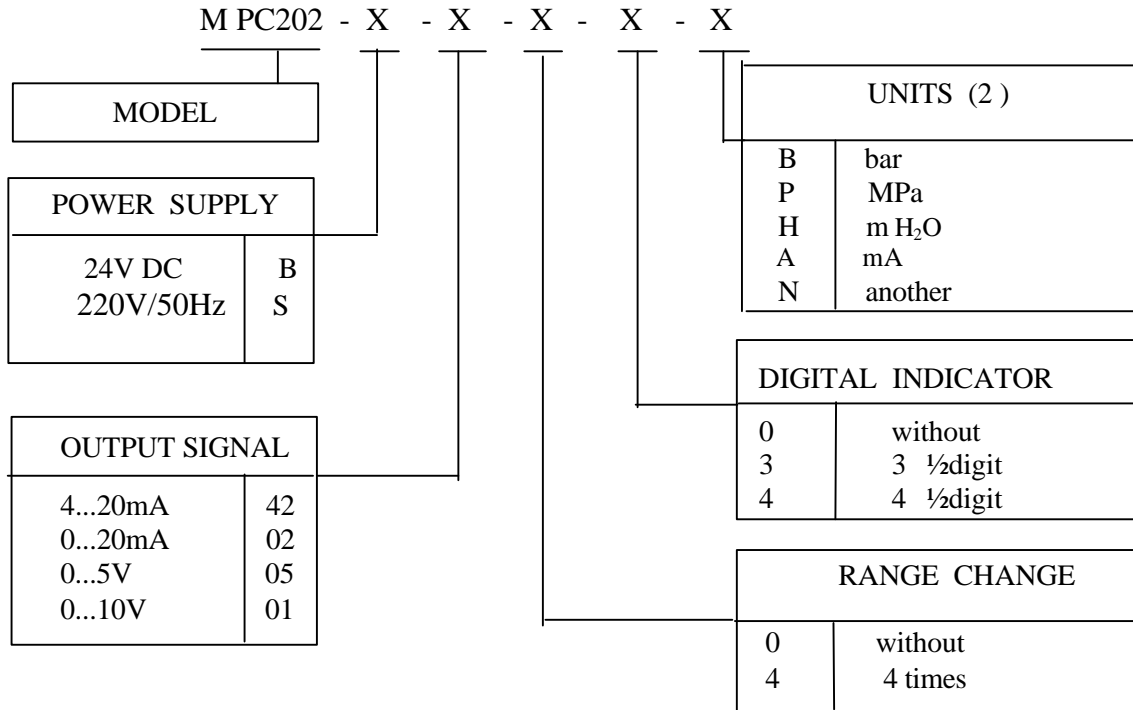
<b>Power supply:</b>	220V / 50Hz, 4VA or 24V DC
<b>Input:</b>	
Inputs quantity	2
<b>Output:</b>	
Outputs quantity	2
Output signal	0...20mA or 4...20mA , 0...5V or 0...10V
Load resistance (R)	≤500 Ω for current output, >2000Ω for voltage output
Range switch (option)	25%, 50%, 75% and 100% of max. measurement range
<b>Digital indicator:</b>	
Kind of display	13 mm height, 3 ½digit red LED, option 10 mm height, 4 ½digit red LED
Max. readout range	1999 for 3 ½ version, 19999 for 4 ½digit version
Units	bar, mH <sub>2</sub> O, mA, other
Overload indic.	is lighting only the first „1" digit for 3 ½digit version display flashes for 4 ½digit version
Polarity sign	minus
Indication error	≤ 0,3% ±1 digit for the 3 ½digit ≤ 0,1% ±1 digit for the 4 ½digit
<b>Other parameters:</b>	
Basic error	≤ 0,1% of measurement range
Operating temperature	0...+60°C; option -20°C...+80°C
Relative humidity	20... 90%
Housing protection	IP65
Weight	approx.. 1,5kG
2 wire system	only for 4...20mA output signal, 24V DC power supply, without of readout indicator; others - 3 wire system

## DIMENSIONS:



## ORDERING INFORMATION

Specify the model according to the ordering code:  
Pressure meter



### Ordering example:

#### MPC202-S-42-0-3-B

MPC202 – two-channel pressure meter  
 S – 220V/50Hz mains power supply  
 42 – 4...20mA output signal  
 0 – without change of range  
 3 – 3 ½digit digital indicator  
 B – units - bar

#### Notes:

1. The standard version: MPC202-S-42-0-0.
2. The indicator can to show only the same units for both channals.
- 3.Measurement conditions: the power supply 24V ± 0,5 V DC.
- 4.Error values are related to full range.
5. The meter ought to be ordered together with pressure transmitters or pressure level probes.
- 6.Using of the range switch the display readout is correct, if the digital indicator is calibrated in units of the output signal.

**PELTRON**® Ltd

PRODUCTION AND TRADE COMPANY

UL. EZOPA 71 A 04-805 WARSZAWA TEL. (+48 22), 615-25-70, 615-27-05 FAX. (+48 22) 615 -70-78  
 account PBK IX Oddz. Warszawa 370031-37745-2700-1-03, Regon 006210833, NIP 113-00-18-140  
 Our Web site [http:// www.peltron.home.pl](http://www.peltron.home.pl) e-mail: [peltron@home.pl](mailto:peltron@home.pl)